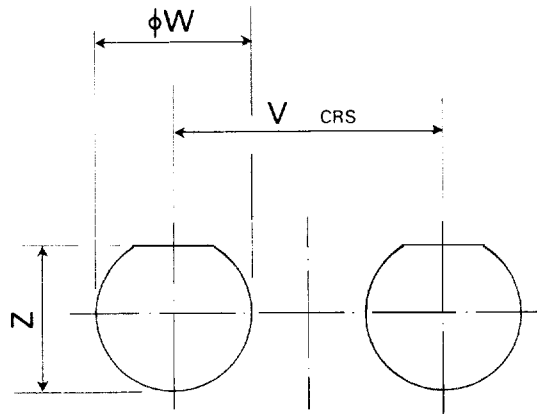
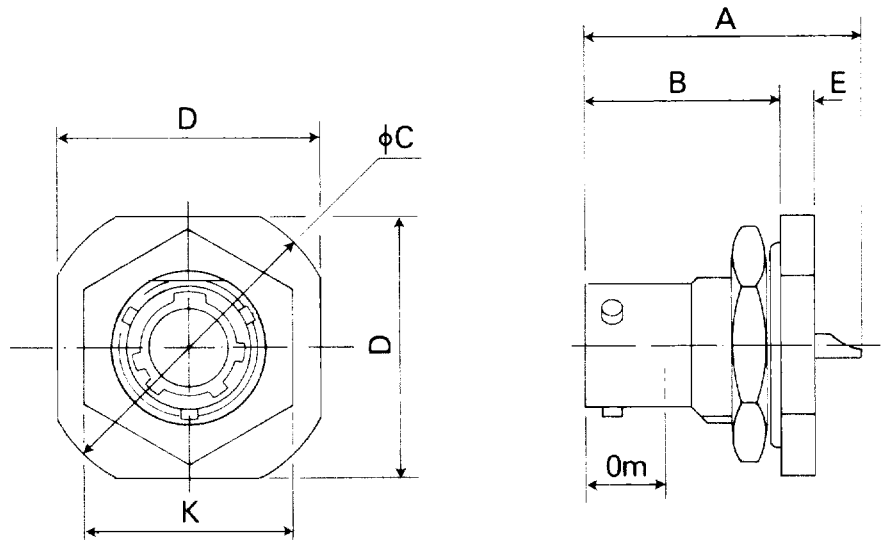
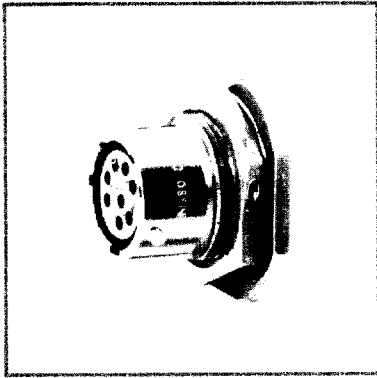


# AB Style:- AB05-3100 Receptacle, Jam Nut, No Provision for Accessory BS Style:- C2099



PANEL CUT-OUT DETAILS

—Metric     —Imperial

HOUSING (SHELL) SIZE	A max.	B max.	$\phi C$ max.	D max.	E max.	K max.	V min.	$\phi W$	Z	$O_m$ min.	PANEL THICKNESS		MASS
								$\pm 0.13(-0.05)$	$\pm 0.13(-0.05)$	OVERLAP	max.	min.	MAX. G
08	26.4	18.6	27.5	24.4	3.6	19.6	24.7	14.53	13.72	7.30	3.30	1.50	17
	1.04	0.73	1.08	0.96	0.14	0.77	0.97	0.572	0.540	0.29	0.13	0.06	
10	26.4	18.6	30.8	27.5	3.6	22.9	28.0	17.70	16.69	7.30	3.30	1.50	20
	1.04	0.73	1.21	1.08	0.14	0.90	1.10	0.697	0.656	0.29	0.13	0.06	
12	26.4	18.6	35.6	32.3	3.6	27.5	32.8	22.48	21.03	7.30	3.30	1.50	24
	1.04	0.73	1.40	1.27	0.14	1.08	1.29	0.885	0.828	0.29	0.13	0.06	
14	26.4	18.6	38.7	35.6	3.6	30.8	35.9	25.65	24.18	7.30	3.30	1.50	34
	1.04	0.73	1.52	1.40	0.14	1.21	1.41	1.010	0.952	0.29	0.13	0.06	
16	26.4	18.6	42.0	38.7	3.6	33.8	39.2	28.83	27.33	7.30	3.30	1.50	43
	1.04	0.73	1.65	1.52	0.14	1.33	1.54	1.135	1.076	0.29	0.13	0.06	
18	26.4	18.6	45.0	42.0	3.6	37.1	43.0	32.00	30.61	7.30	3.30	1.50	47
	1.04	0.73	1.77	1.65	0.14	1.46	1.69	1.260	1.205	0.29	0.13	0.06	
20	30.4	23.1	49.8	46.5	4.4	40.2	47.8	35.18	33.73	8.90	6.40	1.50	63
	1.20	0.91	1.96	1.83	0.17	1.58	1.88	1.385	1.328	0.35	0.25	0.06	
22	30.4	23.1	52.9	49.8	4.4	49.5	50.8	38.35	36.81	8.90	6.40	1.50	74
	1.20	0.91	2.08	1.96	0.17	1.71	2.00	1.510	1.449	0.35	0.25	0.06	
24	30.4	24.1	56.2	52.9	4.4	46.5	54.2	41.53	40.03	8.90	6.40	1.50	87
	1.20	0.95	2.21	2.09	0.17	1.83	2.13	1.635	1.576	0.35	0.25	0.06	